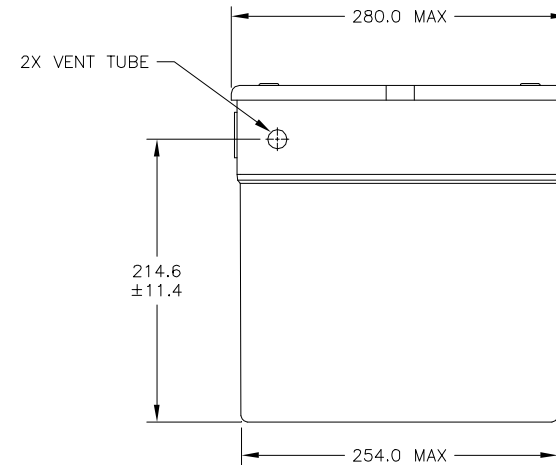
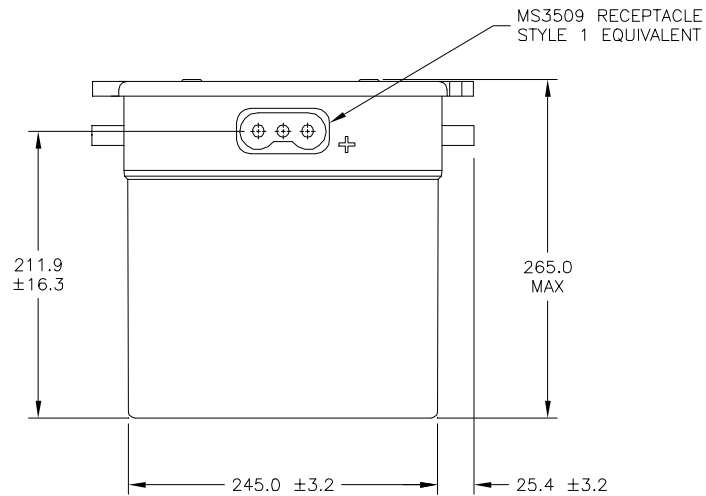
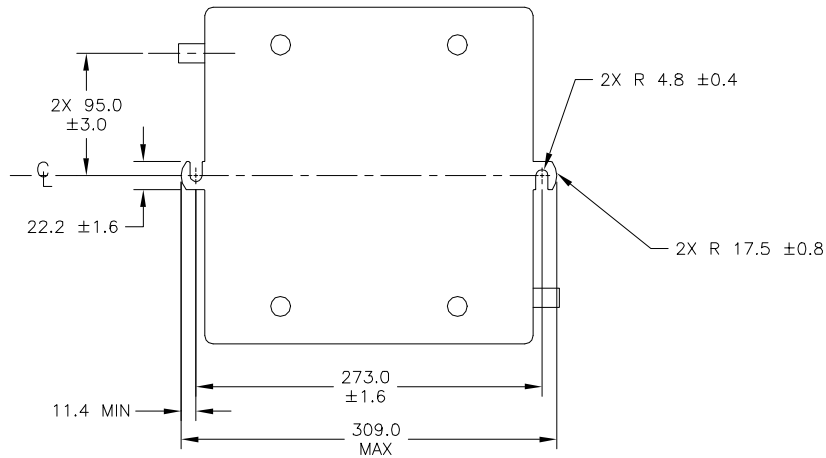


NOTES: UNLESS OTHERWISE SPECIFIED

1. BATTERY CONFORMS TO THE REQUIREMENTS OF MIL-B-8565 AND MIL-B-8565/15, QUALIFIED PRODUCTS LISTED
2. SEE DRAWING NO. CB-00179 AND PROCEDURE P-1000 FOR ASSEMBLY AND TEST INSTRUCTION. PROCEDURES AND ASSEMBLY DRAWINGS ARE FOR INTERNAL USE ONLY.
3. BATTERY WEIGHT: 40.82 kg MAXIMUM
4. FOR DIMENSIONS NOT SHOWN, SEE MILITARY SPECIFICATION

REVISIONS			
REV	DESCRIPTION	DATE	APPROVED



ENVELOPE DRAWING

ENGINEERING COPY 06AUG99

QTY REQD		FSCM NO.	PART OR IDENTIFYING NO.	NOMENCLATURE OR DESCRIPTION	MATERIAL SPECIFICATION	ITEM NO.
PARTS LIST						
UNLESS OTHERWISE SPECIFIED DIMENSIONS ARE IN MILLIMETERS TOLERANCES ARE:				CONCORDE BATTERY CORPORATION		
FRACTIONS .XX ±				APPROVALS		DATE
DECIMALS .XXX ±				DRAWN B. PORTER		6/25/99
ANGLES				CHECKED AMIII		8/5/99
TREATMENT NONE				APPROVED JBT		8/6/99
FINISH NONE				ISSUED DR		8/6/99
SIMILAR TO				SCALE	1/3	
				SHEET		1 OF 1
				TITLE BATTERY, STORAGE, AIRCRAFT, 24 VOLT, 35 AH		
				SIZE C	FSCM NO. 63017	DWG. NO. D8565/15-1 REV