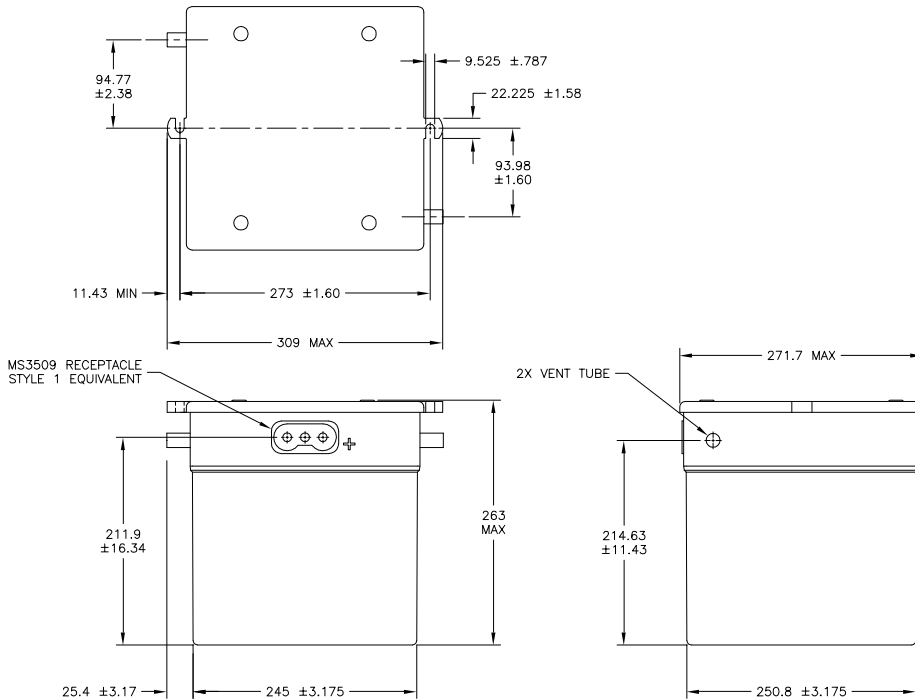


NOTES: UNLESS OTHERWISE SPECIFIED

- BATTERY CONFORMS TO THE REQUIREMENTS OF MIL-PRF-8565 AND MIL-PRF-8565/5, QUALIFIED PRODUCTS LISTED.
- SEE DRAWING NO. CB-00151 AND PROCEDURE P-1000 FOR ASSEMBLY AND TEST INSTRUCTION. PROCEDURES AND ASSEMBLY DRAWINGS ARE FOR INTERNAL USE ONLY.
- BATTERY WEIGHT: 36.4 kg MAXIMUM
- FOR DIMENSIONS NOT SHOWN, SEE MILITARY SPECIFICATIONS.

| REVISIONS |                                 |         |          |
|-----------|---------------------------------|---------|----------|
| REV       | DESCRIPTION                     | DATE    | APPROVED |
| A         | UPDATED NOTE 1, FIXED CAGE CODE | 1/31/03 | JBT      |



ENVELOPE DRAWING

| QTY REQ   | CAGE CODE | PART OR IDENTIFYING NO.                      | NOMENCLATURE OR DESCRIPTION | MATERIAL SPECIFICATION | ITEM NO. |
|---|-----------|--|-----------------------------|------------------------|----------|
| PARTS LIST  |           |  |                             |                        |          |
| UNLESS OTHERWISE SPECIFIED DIMENSIONS ARE IN INCHES TOLERANCES ARE: |           | CONTRACT NO.                                 |                             |                        |          |
| FRACTIONS DECIMALS ANGLES   |           | CONCORDE BATTERY CORPORATION                 |                             |                        |          |
| * JOX # *   |           | 2009 SAN BERNARDINO RD., W. COVINA, CA 91790 |                             |                        |          |
| *XXX #  |           | APPROVALS                                    |                             | DATE                   |          |
|   |           | DRAWN B. PORTER                              |                             | 6/28/99                |          |
| TREATMENT   |           | CHECKED AMIII                                |                             | 8/5/99                 |          |
| FINISH  |           | APPROVED JBT                                 |                             | 8/6/99                 |          |
| SIMILAR TO  |           | ISSUED AT                                    |                             | 2/6/03                 |          |
| ACT INT DLD BY  |           | SCALE  |                             | 1/3                    |          |
|   |           | SIZE CAGE CODE                               |                             | DWG NO. D8565/5-1      |          |
|   |           | REV  |                             | A                      |          |
|   |           | SHEET  |                             | 1 OF 1                 |          |

ENGINEERING COPY CBTEB03