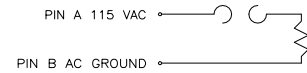
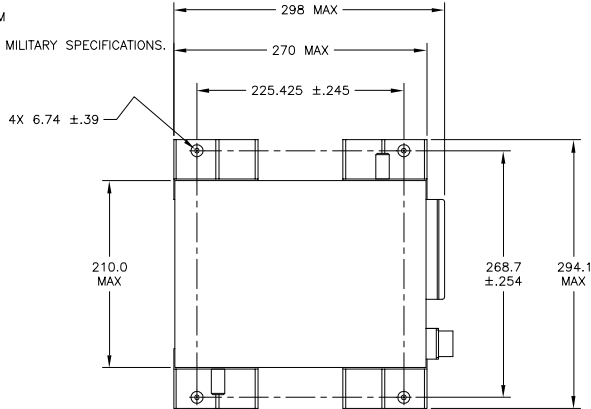
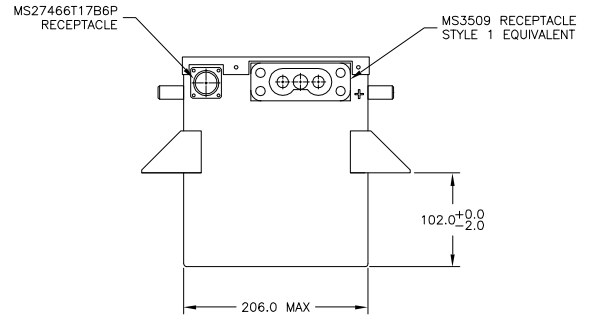
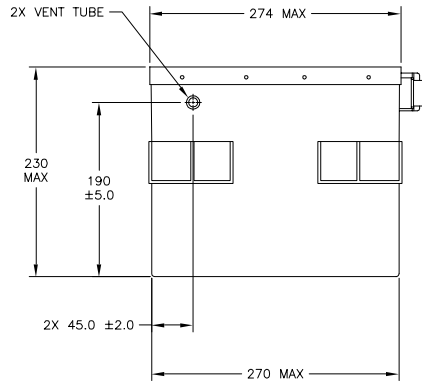


NOTES: UNLESS OTHERWISE SPECIFIED

- BATTERY CONFORMS TO THE REQUIREMENTS OF MIL-PRF-8565 AND MIL-PRF-8565/7, QUALIFIED PRODUCTS LISTED.
- SEE DRAWING NO. CB-00246 AND PROCEDURE P-1000 FOR ASSEMBLY AND TEST INSTRUCTION. PROCEDURES AND ASSEMBLY DRAWINGS ARE FOR INTERNAL USE ONLY.
- BATTERY WEIGHT: 29 kg MAXIMUM
- FOR DIMENSIONS NOT SHOWN, SEE MILITARY SPECIFICATIONS.



CONNECTOR SCHEMATIC DIAGRAM



ENVELOPE DRAWING

REVISIONS			
REV	DESCRIPTION	DATE	APPROVED
A	UPDATED NOTE 1, FIXED CAGE CODE	1/31/03	JBT

QTY	REQD	CAGE CODE	PART OR IDENTIFYING NO.	NOMENCLATURE OR DESCRIPTION	MATERIAL SPECIFICATION	ITEM NO.
PARTS LIST						
UNLESS OTHERWISE SPECIFIED DIMENSIONS ARE IN INCHES TOLERANCES ARE:				CONCORDE BATTERY CORPORATION		
FRACTIONS DECIMALS ANGLES				2009 SAN BERNARDINO RD, W. COVINA, CA 91790		
* JXX #	* JXX #	* JXX #	APPROVALS	DATE	BATTERY, STORAGE, AIRCRAFT	
* JXX #	* JXX #	* JXX #	DRAWN	B. PORTER	6/28/99	24 VOLT, 24 AH
TREATMENT	NONE	CHECKED	AMIII	8/2/99	SIZE	CAGE CODE
FINISH	NONE	APPROVED	JBT	8/10/99	C	63017
SIMILAR TO	ACT INT	OLD WT	ISSUED	AT	2/8/03	SCALE
						1/3
					DWG NO.	D8565/7-2
					REV	A
					SHEET	1 OF 1

ENGINEERING COPY CBTEB03