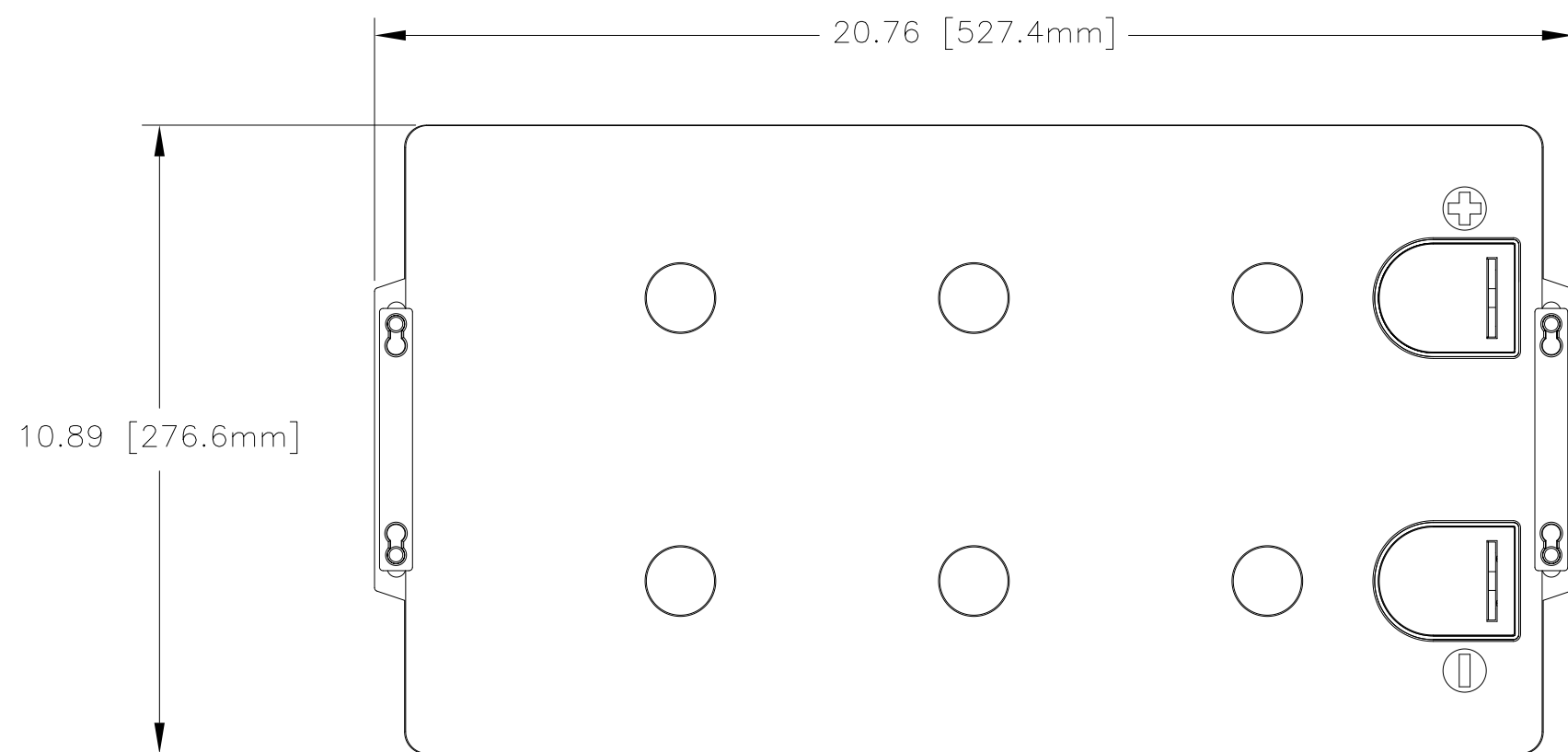


NOTES: UNLESS OTHERWISE SPECIFIED

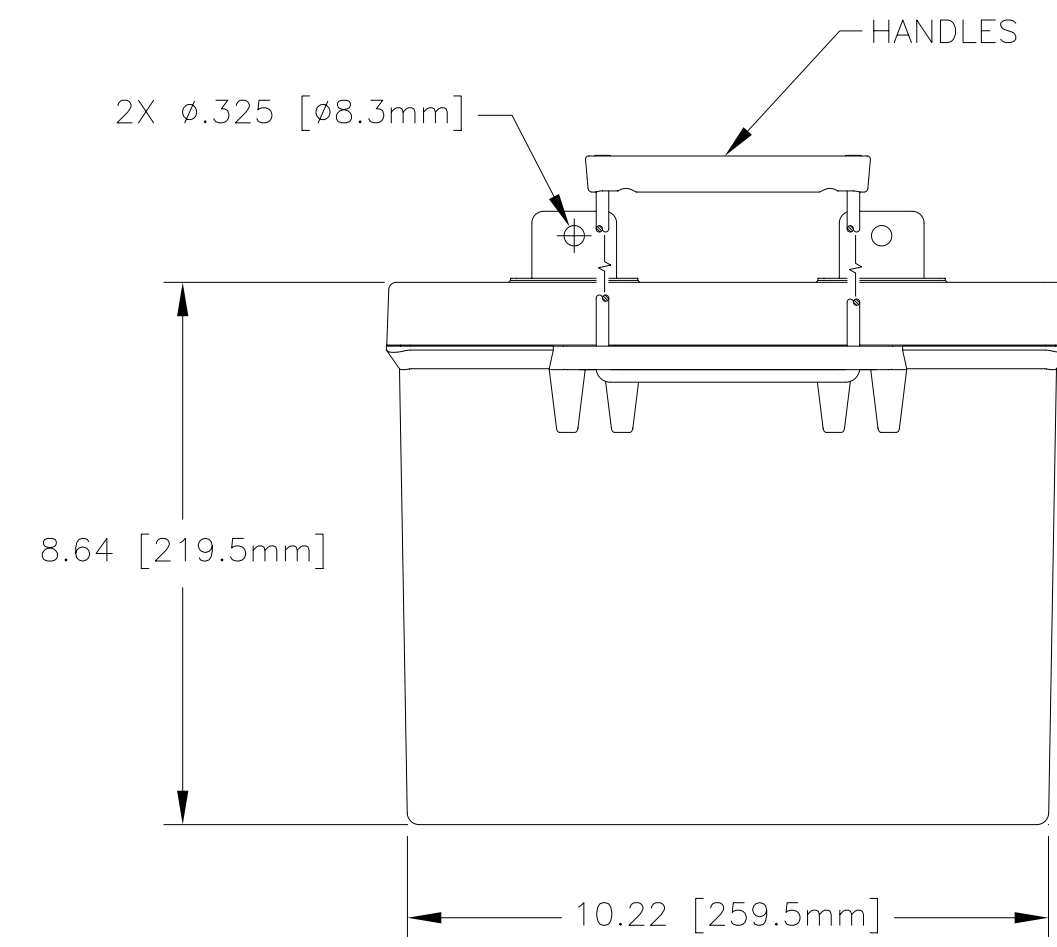
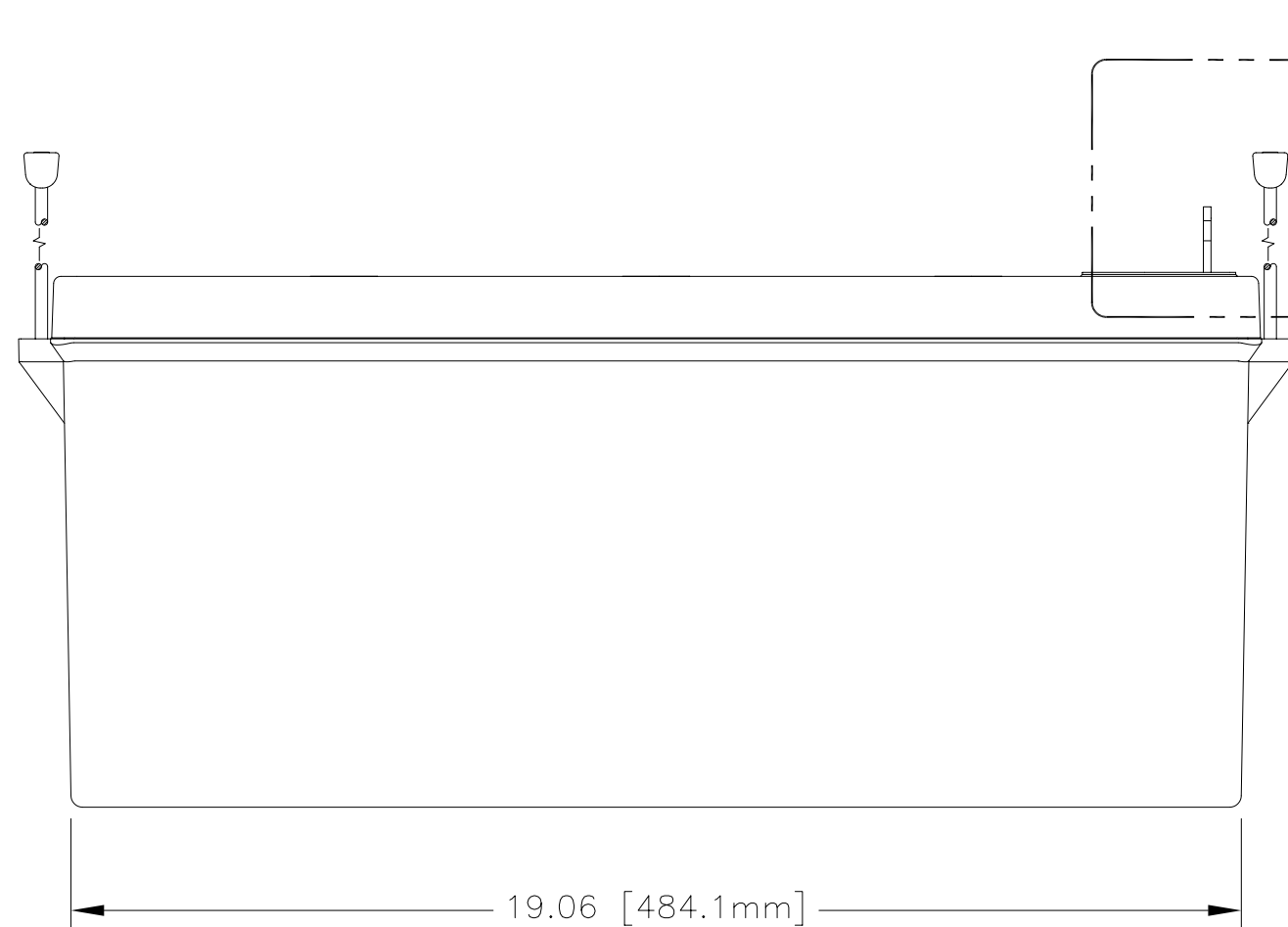
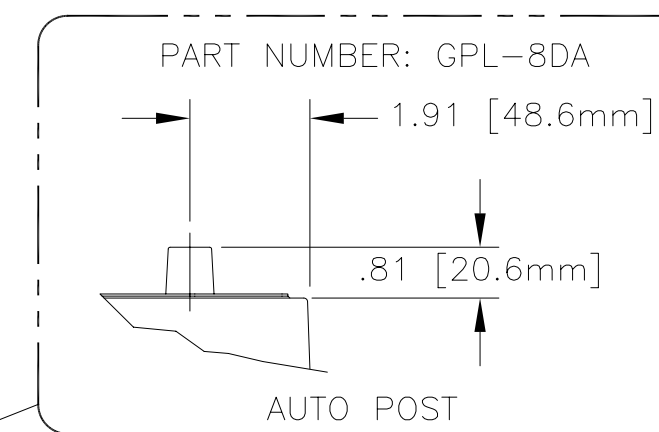
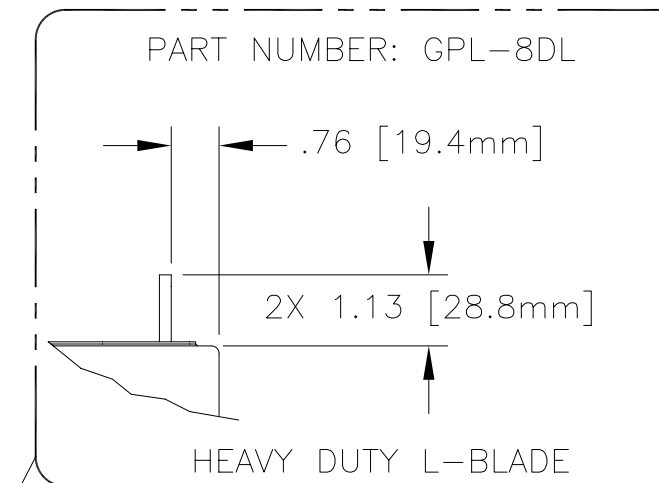
1. SEE DRAWING NO. CB-00295 AND PROCEDURE P-1000 FOR ASSEMBLY AND TEST INSTRUCTION. PROCEDURES AND ASSEMBLY DRAWINGS ARE FOR INTERNAL USE ONLY.
2. ALL TESTING IS PERFORMED IAW BATTERY COUNCIL INTERNATIONAL STANDARDS.
3. ALL DIMENSIONS ARE IN INCHES [MM].

REVISIONS			
REV	DESCRIPTION	DATE	APPROVED
H	UPDATED HANDLES, ADDED 2X ϕ .325 DIM	5/8/08	JBT



NOTE: SEE OPTIONS LISTED

GPL-8D TERMINAL OPTIONS



ENVELOPE DRAWING

CAPACITY RATINGS	
PART NUMBER	GPL-8D
NOMINAL WEIGHT	162 LBS[73.6 KG]
AMPERE HOUR CAPACITY @ 20 HOUR 1.75 VOLTS/CELL @ 77°F (25° C)	255 AH
MINUTES OF DISCHARGE @ 25 AMPS 1.75 VOLTS/CELL @ 77°F (25° C)	475 MIN

QTY REQD	CAGE CODE	PART OR IDENTIFYING NO.	NOMENCLATURE OR DESCRIPTION	MATERIAL SPECIFICATION	ITEM NO.
			PARTS LIST		
UNLESS OTHERWISE SPECIFIED DIMENSIONS ARE IN INCHES TOLERANCES ARE:		CONTRACT NO. NA		CONCORDE BATTERY CORPORATION 2099 SAN BERNARDINO RD, W. COVINA, CA 91790	
FRACTIONS	DECIMALS	ANGLES	APPROVALS	DATE	TITLE
$\pm 1/32$.XX $\pm .06$	$\pm 1^\circ$	DRAWN TORRES J.	5/5/94	BATTERY, 12 VOLT, GPL-8D
	.XXX $\pm .030$		CHECKED JR	5/9/94	SIZE CAGE CODE DWG NO.
TREATMENT	NONE	APPROVED DG	5/9/94	63017	GPL-8D
FINISH	NONE	ISSUED NS	5/9/08		REV H
SIMILAR TO NA	ACT WT NA	CALC WT NA		SCALE NONE	SHEET 1 OF 1