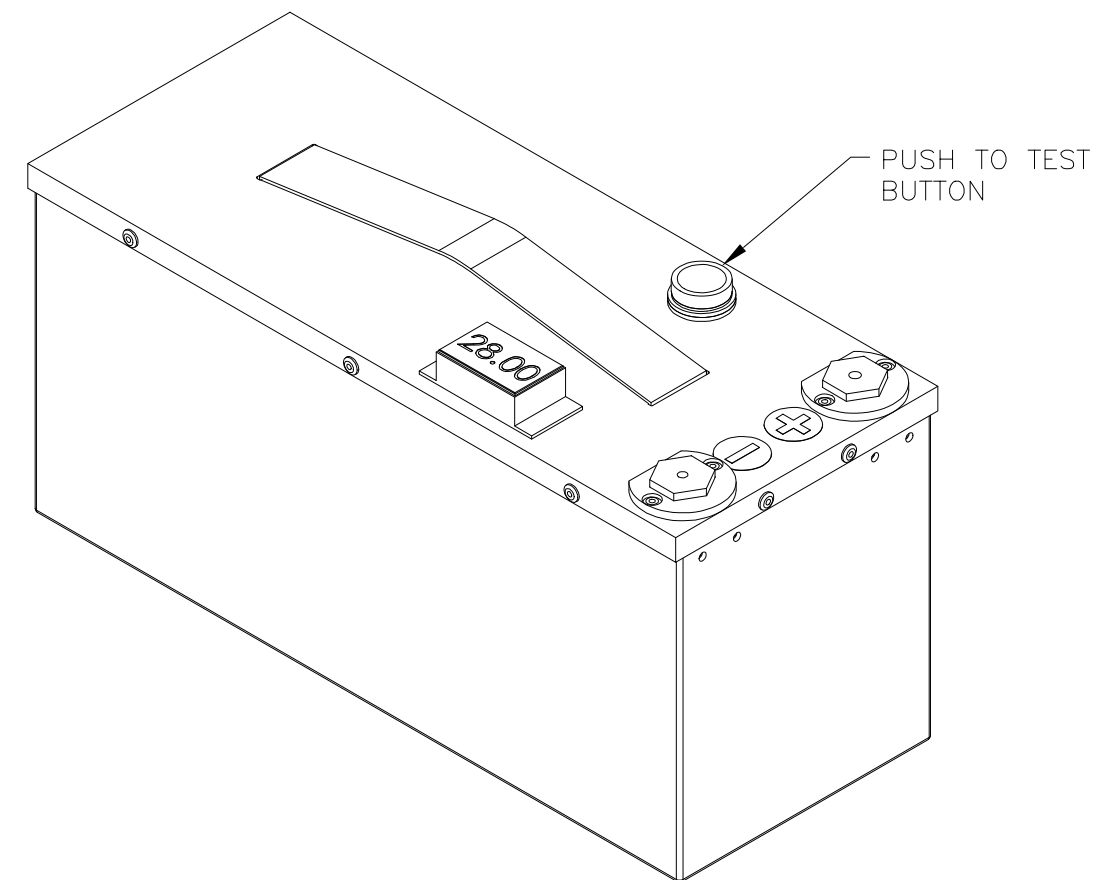
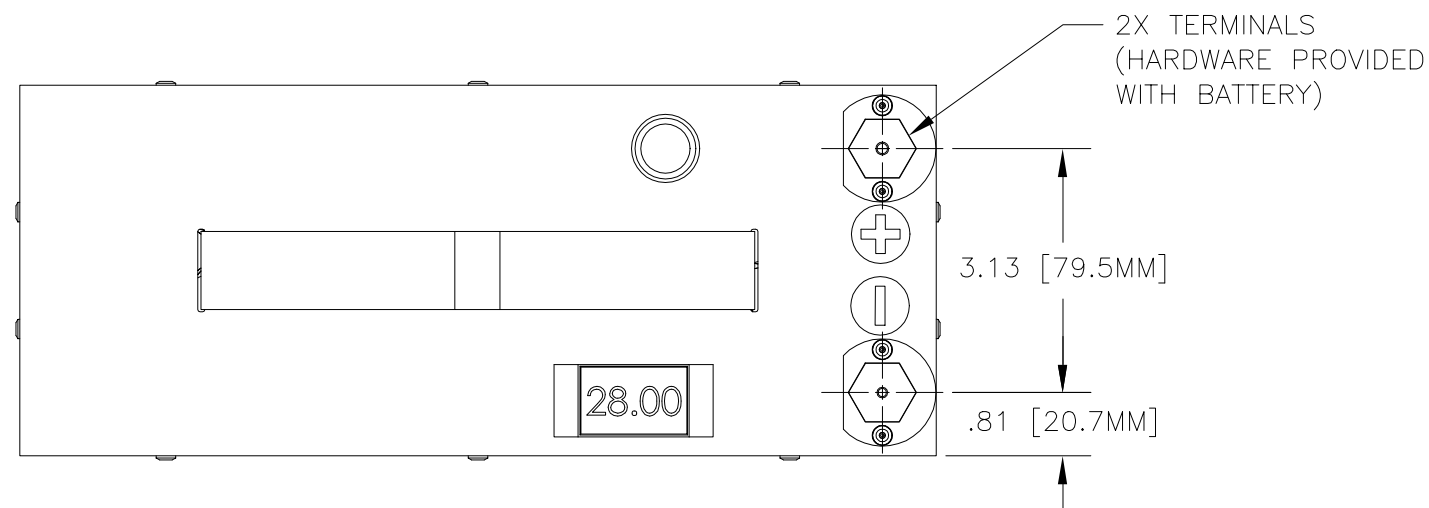


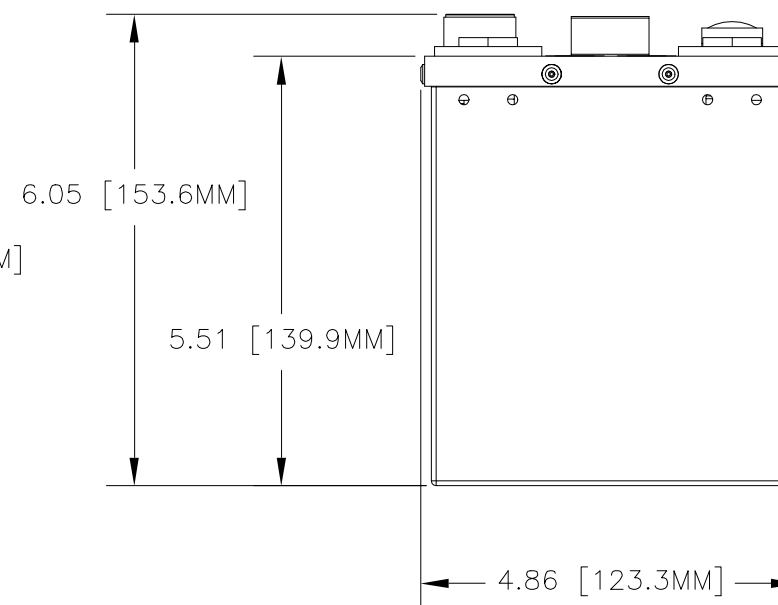
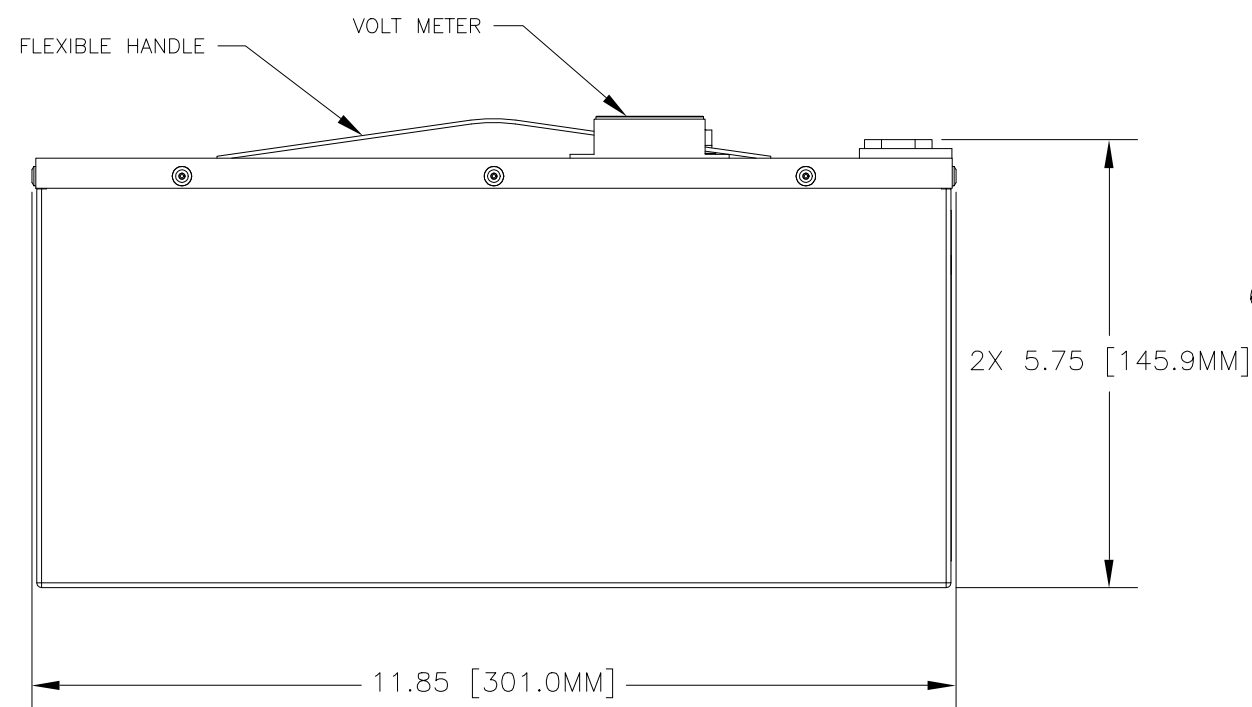
NOTES: UNLESS OTHERWISE SPECIFIED

- BATTERY CONFORMS TO THE DESIGN REQUIREMENTS OF 14 CFR PART 25.1353(c).
- INSPECT PER FAR 21.303(h) QUALITY SYSTEM.
- ABBREVIATION USED IN TITLE IS: VALVE REGULATED SEALED LEAD ACID (VRSLA).
- SEE DRAWING NO. CB-00321 AND PROCEDURE P-1000 FOR ASSEMBLY AND TEST INSTRUCTION. PROCEDURES AND ASSEMBLY DRAWINGS ARE FOR INTERNAL USE ONLY.
- BATTERIES ARE RATED IAW INTERNATIONAL ELECTROTECHNICAL COMMISSION STANDARD 952-1, UNLESS OTHERWISE NOTED.
- DIMENSIONS ARE IN INCHES AND MILLIMETERS SHOWN IN BRACKETS [MM].

REVISIONS			
REV	DESCRIPTION	DATE	APPROVED



REFERENCE VIEW



PART NUMBER	RG-28-7		
MAXIMUM WEIGHT	30 LBS [13.6 KG]		
RATED CAPACITY, C ₁	9.0 AH		
POWER RATING	NOT RATED		
TEST TEMPERATURE	@23°C (74°F)	@-18°C (0°F)	@-30°C (-22°F)
CAPACITY, 9.0 A	9.0 AH	6.6 AH	4.3 AH
RAPID DISCHARGE, 54 A	6.7 AH	NOT RATED	2.4 AH

ENVELOPE DRAWING

QTY REQD	CAGE CODE	PART OR IDENTIFYING NO.	NOMENCLATURE OR DESCRIPTION	MATERIAL SPECIFICATION	ITEM NO.
PARTS LIST					
UNLESS OTHERWISE SPECIFIED DIMENSIONS ARE IN INCHES TOLERANCES ARE:			CONCORDE BATTERY CORPORATION		
FRACTIONS DECIMALS ANGLES			2009 SAN BERNARDINO RD, W. COVINA, CA 91790		
± 1/32 .XX ± .06 ± 1°			TITLE		
.XXX ± .030			BATTERY, VRSLA, 28 VOLT		
TREATMENT	NONE	CONTRACT NO.	NA	APPROVALS	DATE
FINISH	NONE	DRAWN	ELH	9/24/01	
SIMILAR TO	NA	CHECKED	HRF	9/24/01	
ACT WT	NA	APPROVED	JBT	9/26/01	
CALC WT	NA	ISSUED	AT	10/2/01	
SCALE NONE		CAGE CODE	63017	DWG NO.	RG-28-7
SHEET 1 OF 1		REV			