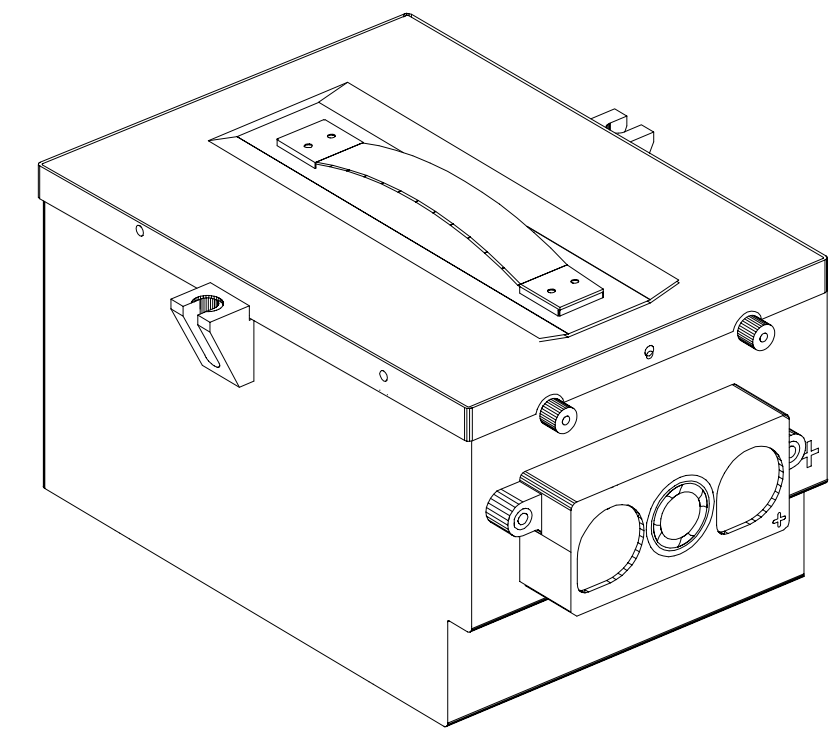
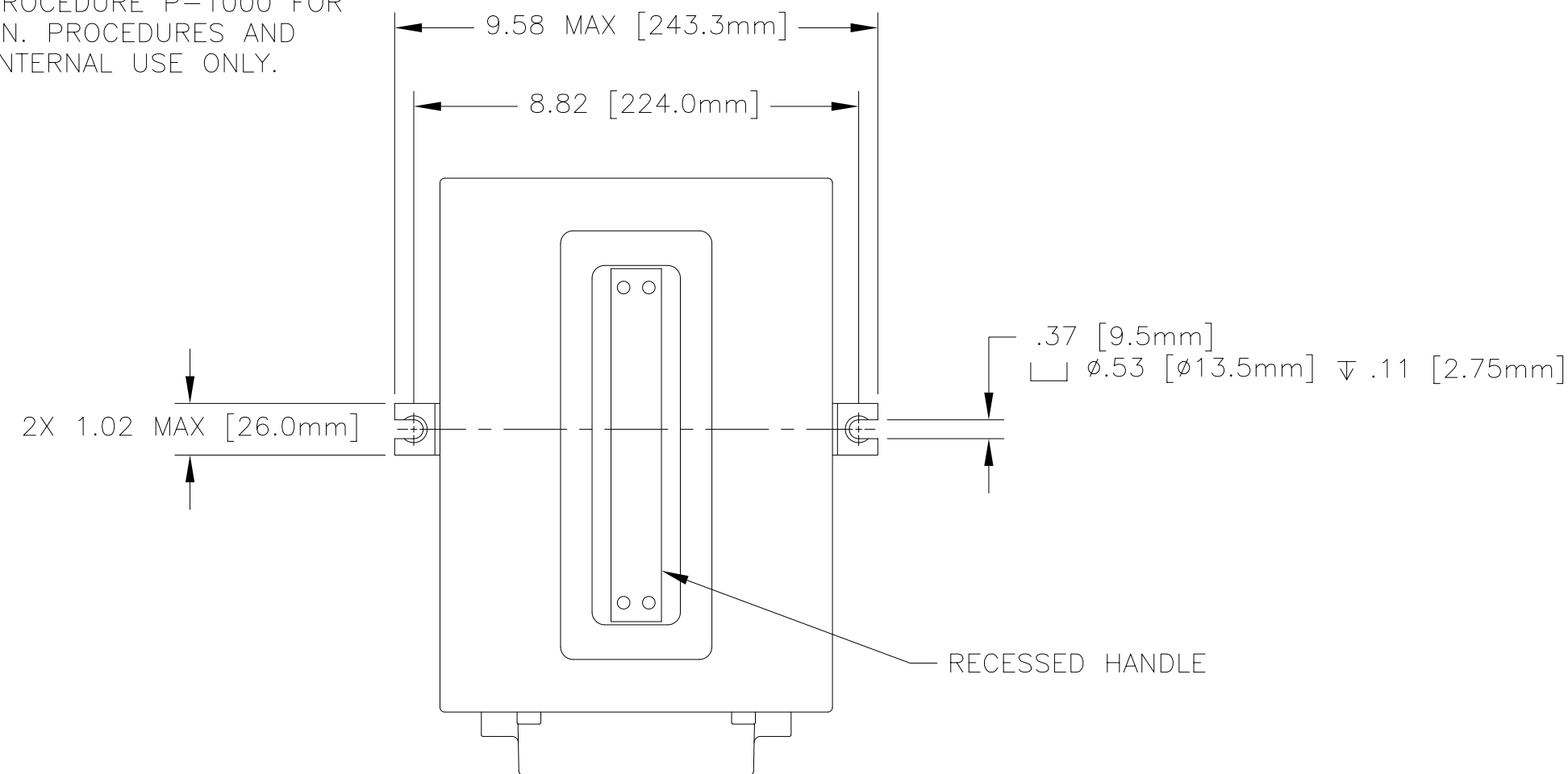


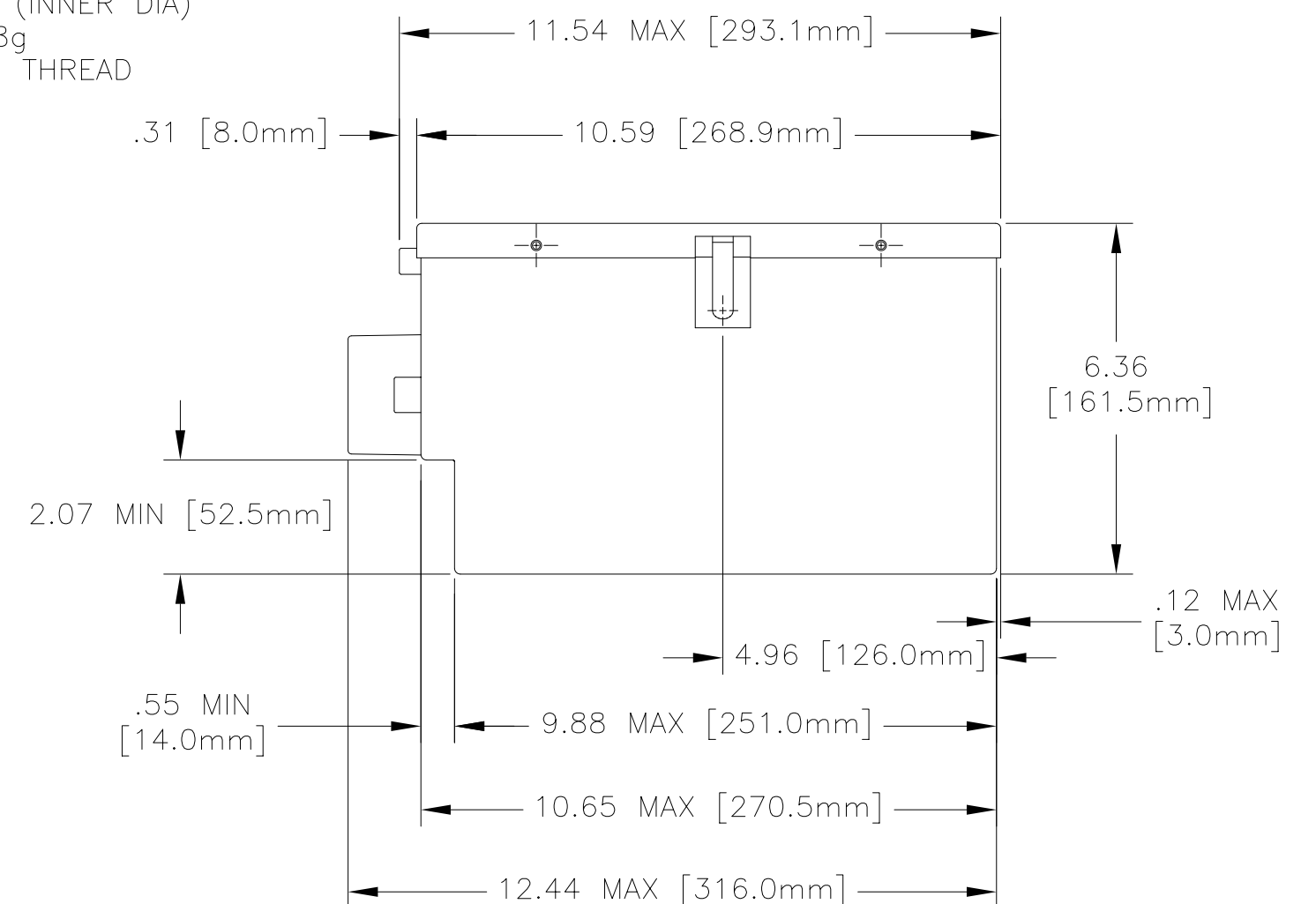
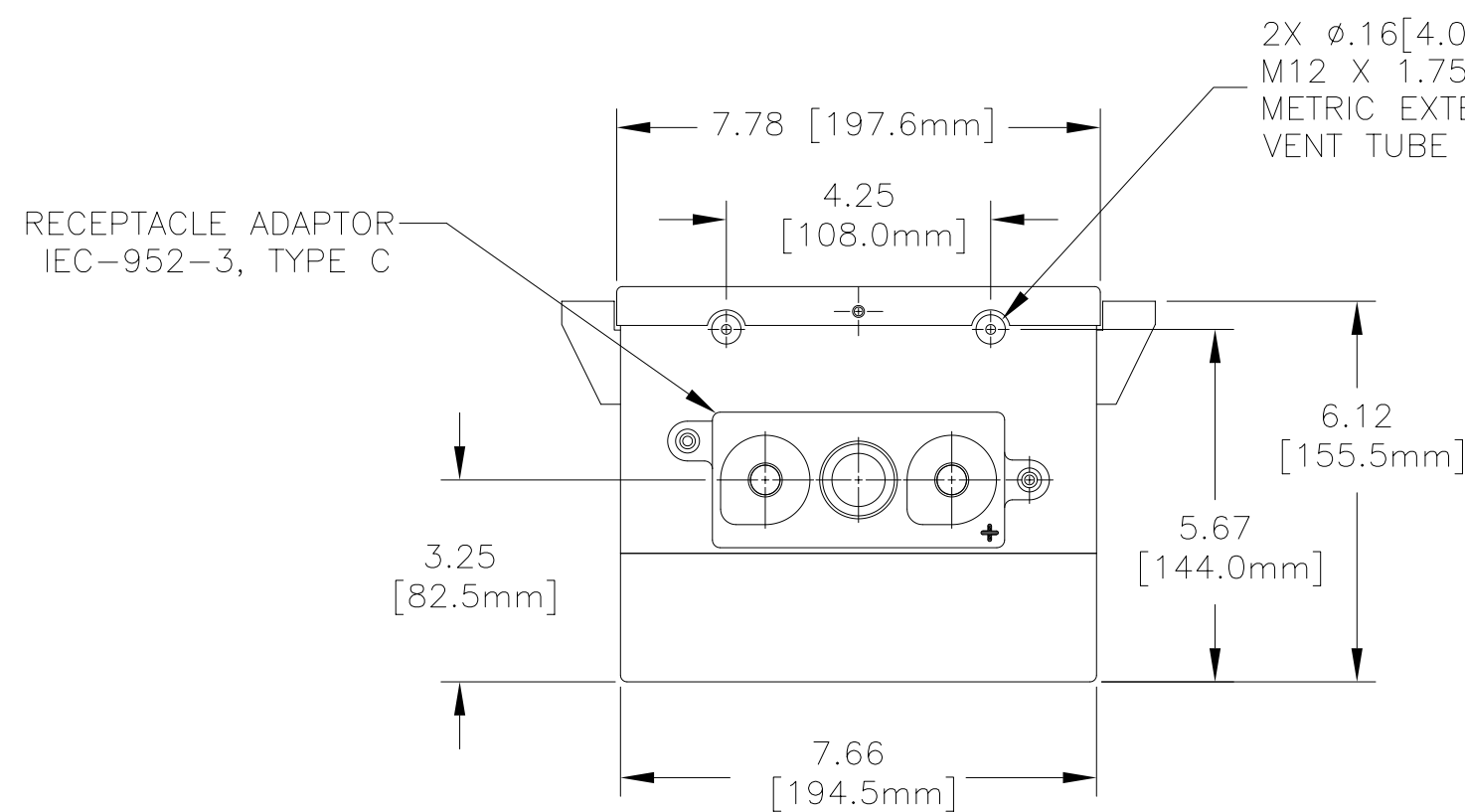
NOTES: UNLESS OTHERWISE SPECIFIED

- BATTERY CONFORMS TO THE DESIGN REQUIREMENTS OF 14 CFR PART 25.1353(c).
- INSPECT PER FAR 21.303(h) QUALITY SYSTEM.
- ABBREVIATION USED IN TITLE IS: VALVE REGULATED SEALED LEAD ACID (VRSLA).
- SEE DRAWING CB-00263 AND PROCEDURE P-1000 FOR ASSEMBLY AND TEST INSTRUCTION. PROCEDURES AND ASSEMBLY DRAWINGS ARE FOR INTERNAL USE ONLY.
- BATTERIES ARE RATED IAW INTERNATIONAL ELECTROTECHNICAL COMMISSION STANDARD 952-1, UNLESS OTHERWISE NOTED.

REVISIONS			
REV	DESCRIPTION	DATE	APPROVED



REFERENCE VIEW



ENVELOPE DRAWING

PART NUMBER	RG-445C
MAXIMUM WEIGHT	43 LBS [19.5 KG]
RATED CAPACITY, C <sub>1</sub>	18 AH
POWER RATING AT 23°C (74°F)	lpr 764 A, lpp 1024 A
POWER RATING AT -18°C (0°F)	lpr 564 A, lpp 744 A
POWER RATING AT -30°C (-22°F)	lpr 349 A, lpp 556 A

QTY REQD	CAGE CODE	PART OR IDENTIFYING NO.	NOMENCLATURE OR DESCRIPTION	MATERIAL SPECIFICATION	ITEM NO.
PARTS LIST					
UNLESS OTHERWISE SPECIFIED DIMENSIONS ARE IN INCHES TOLERANCES ARE:			CONCORDE BATTERY CORPORATION 2009 SAN BERNARDINO RD, W. COVINA, CA 91790		
FRACTIONS	DECIMALS	ANGLES	APPROVALS	DATE	TITLE
	.XX ± .06		DRAWN	HRF	3/29/00
	.XXX ± .030		CHECKED	AMIII	5/17/01
TREATMENT	NONE		APPROVED	JBT	5/17/01
FINISH	NONE		ISSUED	AT	5/25/01
SIMILAR TO	ACT WT	CALC WT	SCALE NONE		
				SIZE C	CAGE CODE 63017
				DWG NO.	RG-445C
				REV	
				SHEET	1 OF 1

ENGINEERING COPY 26JUL02