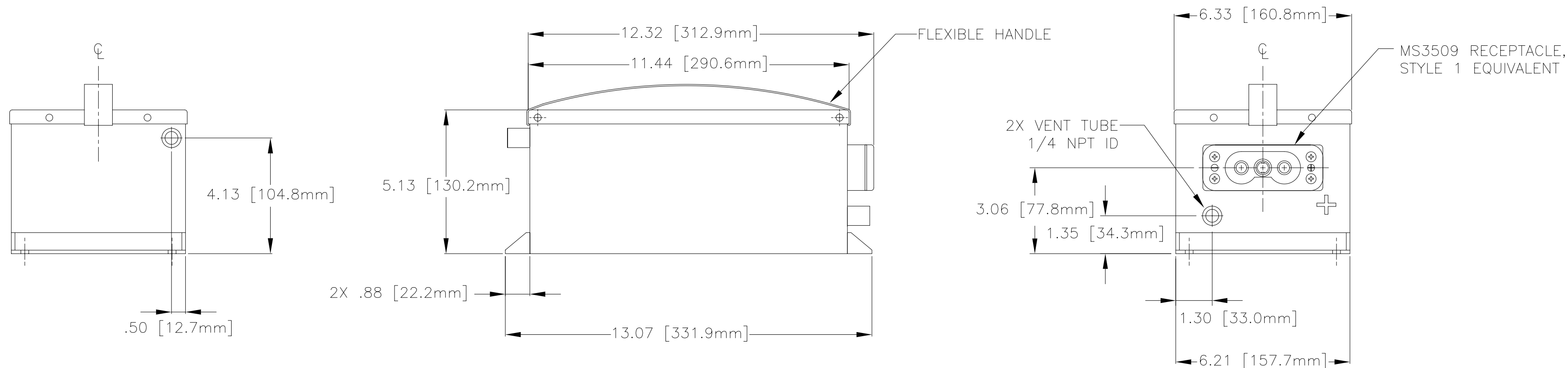
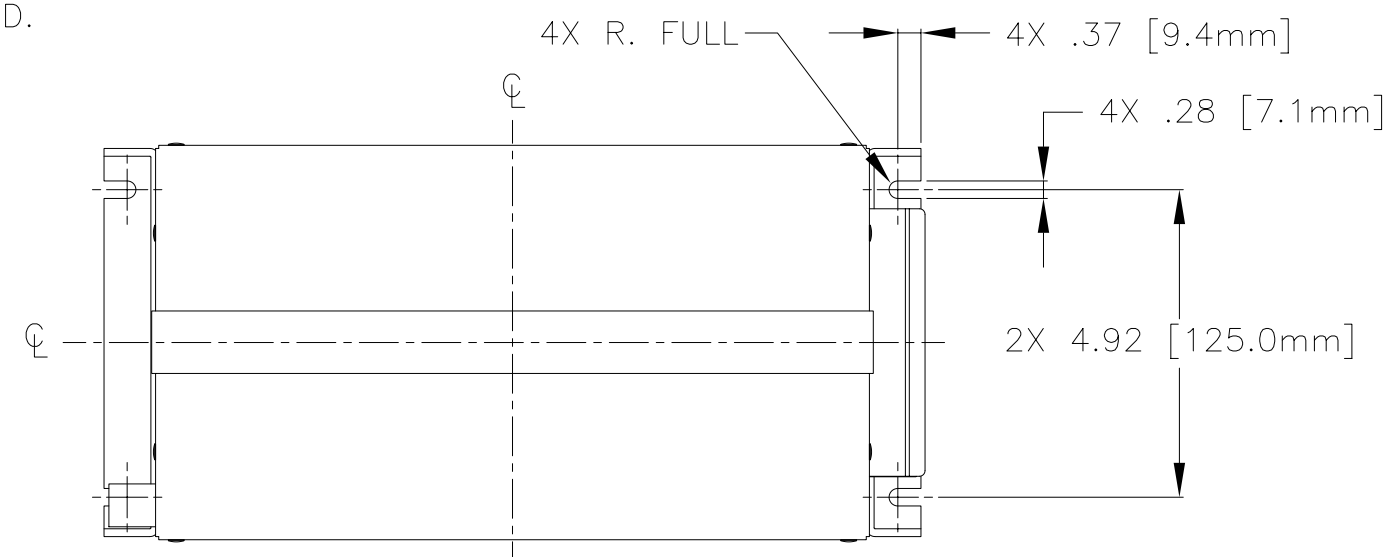


NOTES: UNLESS OTHERWISE SPECIFIED

- BATTERY CONFORMS TO THE DESIGN REQUIREMENTS OF 14 CFR PART 25.1353(c).
- INSPECT PER FAR 21.303(h) QUALITY SYSTEM.
- ABBREVIATION USED IN TITLE IS: VALVE REGULATED SEALED LEAD ACID (VRSLA).
- SEE DRAWING NUMBER CB-00273 AND PRODUCTION INSTRUCTION PI-1000 FOR ASSEMBLY AND TEST INSTRUCTION. PRODUCTION INSTRUCTIONS AND ASSEMBLY DRAWINGS ARE FOR INTERNAL USE ONLY.
- BATTERIES ARE RATED IAW INTERNATIONAL ELECTROTECHNICAL COMMISSION STANDARD 952-1, UNLESS OTHERWISE NOTED.

REVISIONS			
REV	DESCRIPTION	DATE	APPROVED



PART NUMBER	RG-46
MAXIMUM WEIGHT	34 LBS (15.4. KG)
RATED CAPACITY, C ₁	12 AH
POWER RATING AT 23°C	lpr 601 A, lpp 1561 A
POWER RATING AT -18°C	lpr 466 A, lpp 1275 A
POWER RATING AT -30°C	lpr 335 A, lpp 1514 A

ENVELOPE DRAWING

QTY REQD	CAGE CODE	PART OR IDENTIFYING NO.	NOMENCLATURE OR DESCRIPTION	MATERIAL SPECIFICATION	ITEM NO.
PARTS LIST					
UNLESS OTHERWISE SPECIFIED DIMENSIONS ARE IN INCHES TOLERANCES ARE: FRACTIONS DECIMALS ANGLES .XX ± .06 .XXX ± .060			CONTRACT NO.		CONCORDE BATTERY CORPORATION 2009 SAN BERNARDINO RD, W. COVINA, CA 91790
TREATMENT NONE			APPROVALS	DATE	
FINISH NONE			DRAWN ELH	7/13/99	TITLE BATTERY, VRSLA, 24 VOLT
SIMILAR TO			CHECKED AMIII	7/14/99	SIZE C
ACT WT			APPROVED JBT	7/14/99	CAGE CODE 63017
CALC WT			ISSUED DR	7/15/99	DWG NO. RG-46
SCALE 1=3				REV	
SHEET 1 OF 1				REV	

ENGINEERING COPY 15JUL99