

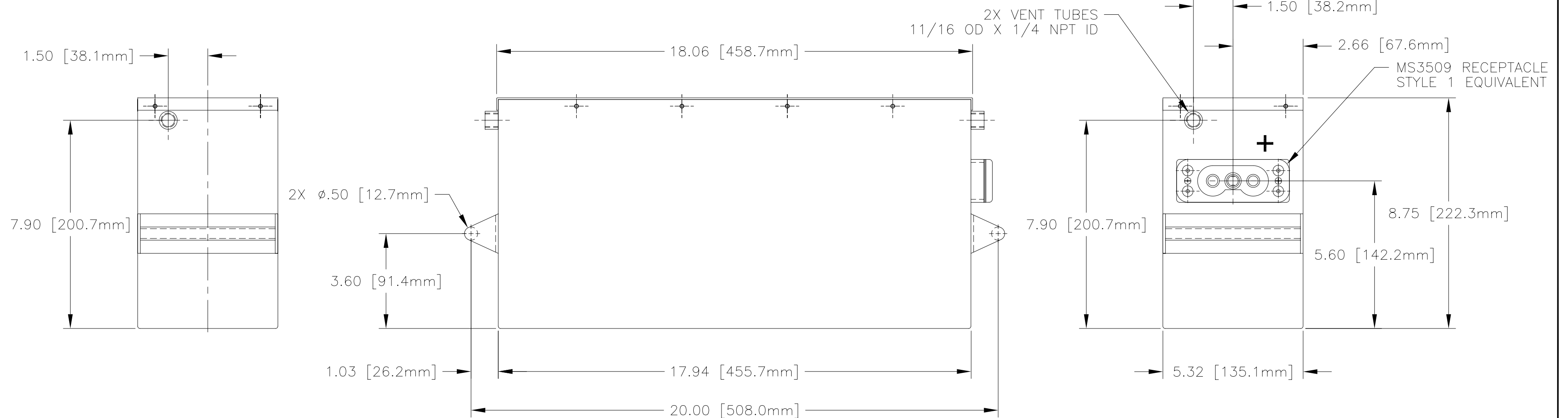
NOTES: UNLESS OTHERWISE SPECIFIED

- BATTERY CONFORMS TO THE DESIGN REQUIREMENTS OF 14 CFR PARTS 23.1353, 25.1353(c), 27.1353, 29.1353(c).
- INSPECT PER FAR 21.303(h) QUALITY SYSTEM.
- ABBREVIATION USED IN TITLE IS: VALVE REGULATED SEALED LEAD ACID (VRSLA).
- SEE DRAWING NO. CB-00239 AND PROCEDURE P-1000 FOR ASSEMBLY AND TEST INSTRUCTION. PROCEDURES AND ASSEMBLY DRAWINGS ARE FOR INTERNAL USE ONLY.

- BATTERIES ARE RATED IAW INTERNATIONAL ELECTROTECHNICAL COMMISSION STANDARD 952-1, UNLESS OTHERWISE NOTED.
- DIMENSIONS ARE IN INCH [MILLIMETERS].

REVISIONS			
REV	DESCRIPTION	DATE	APPROVED

PART NUMBER	RG-91
MAXIMUM WEIGHT	55 LBS [24.9 KG]
RATED CAPACITY, C ₁	22 AH
POWER RATING AT 23°C	I _{pr} 910 A, I _{pp} 1615 A
POWER RATING AT -18°C	I _{pr} 691 A, I _{pp} 1504 A
POWER RATING AT -30°C	I _{pr} 469 A, I _{pp} 1513 A



ENVELOPE DRAWING

QTY REQD	CAGE CODE	PART OR IDENTIFYING NO.	NOMENCLATURE OR DESCRIPTION	MATERIAL SPECIFICATION	ITEM NO.
PARTS LIST					
UNLESS OTHERWISE SPECIFIED DIMENSIONS ARE IN INCHES TOLERANCES ARE: FRACTIONS DECIMALS ANGLES ± 1/32 .XX ± .06 ± 1° .XXX ± .030			CONTRACT NO.	CONCORDE BATTERY CORPORATION 2009 SAN BERNARDINO RD, W. COVINA, CA 91790	
TREATMENT NONE			APPROVALS	DATE	TITLE
FINISH NONE			DRAWN A. MISTRETTA	7/9/03	BATTERY, VRSLA, 24 VOLT
SIMILAR TO			CHECKED AMIII	7/9/03	SIZE CAGE CODE DWG NO. REV
ACT WT CALC WT			APPROVED JBT	7/10/03	C 63017 RG-91 1
			ISSUED AT	7/14/03	SCALE NONE SHEET 1 OF 1

ENGINEERING COPY 14JUL03